

SUMMIT™

2196

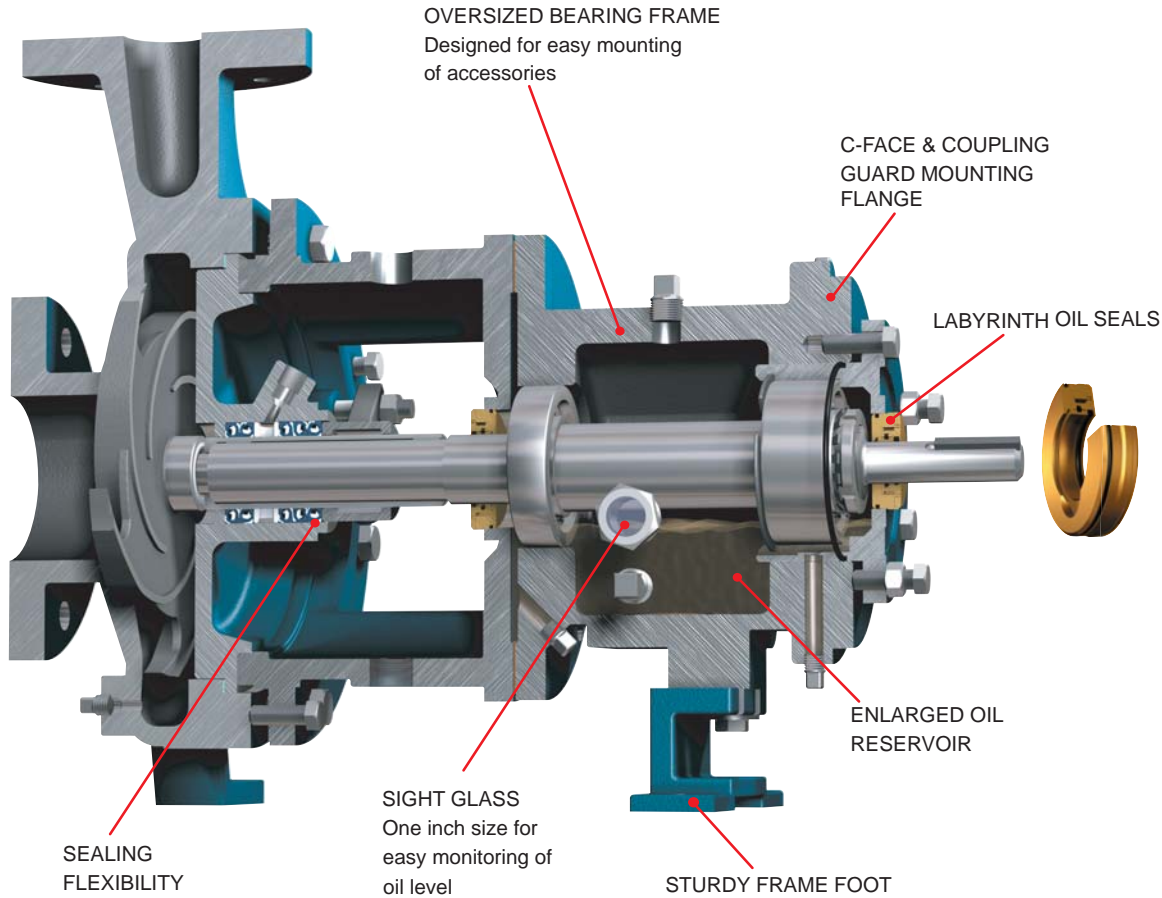


ANSI Dimensional Model 2196

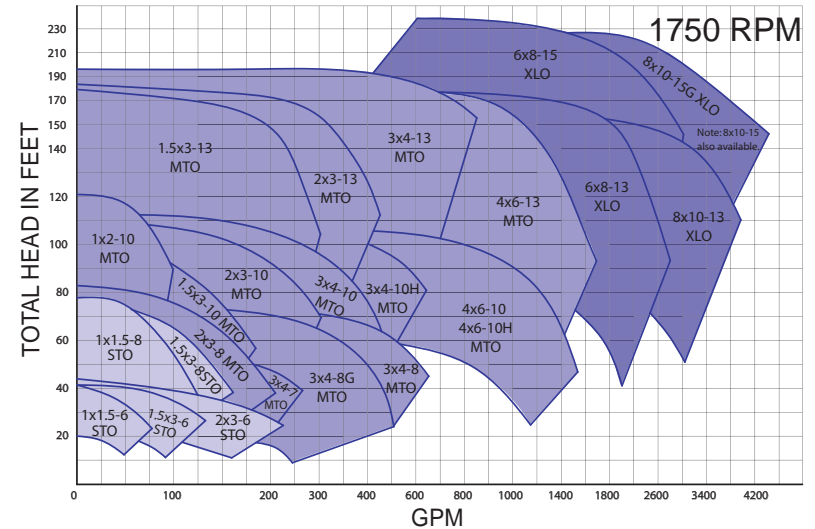
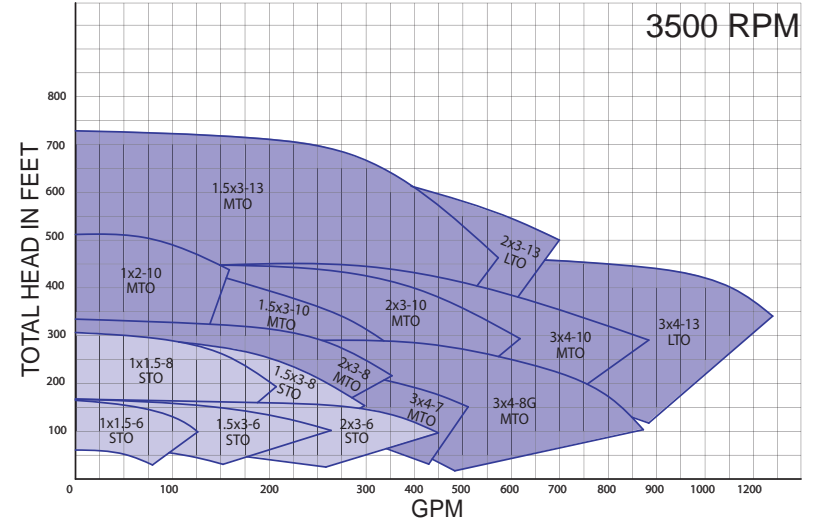


SUMMIT™
PUMP, Inc

www.SUMMITPUMP.com



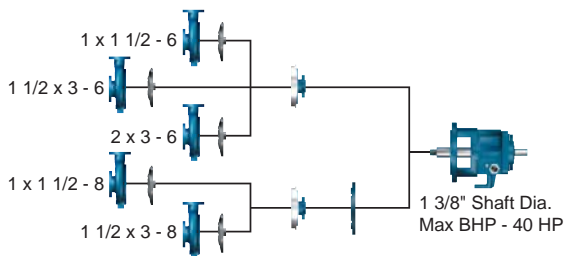
OPTIONAL: FINNED-TUBE OIL COOLER Can be installed in field



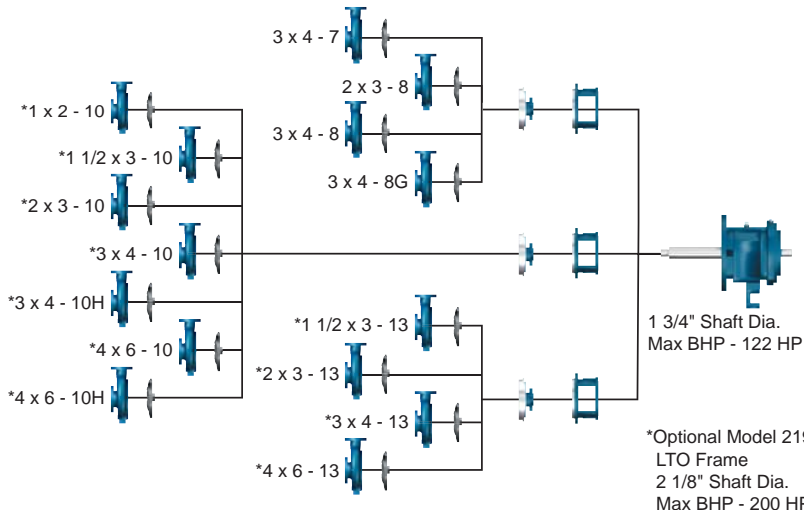
Note: Performance & Sizing curves are provided for reference only. For specific information, contact your distributor or the manufacturer.

Model 2196 Interchangeability and Dimensional Data

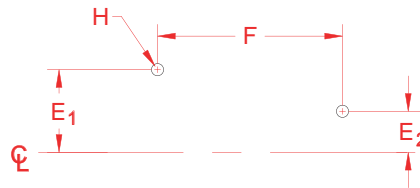
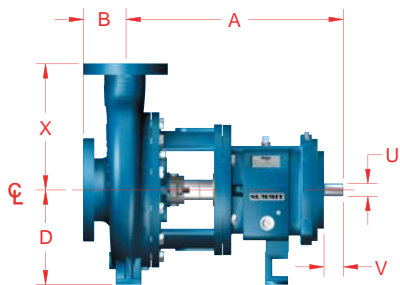
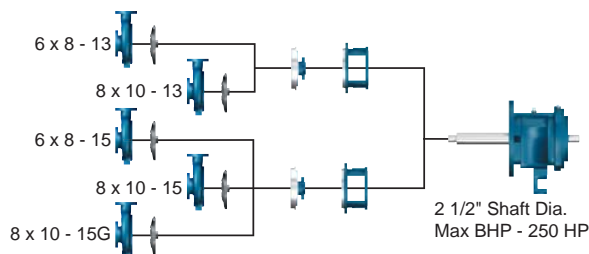
Model 2196 STO



Model 2196 MTO



Model 2196 XLO



Pump Frame	ANSI	Size			Pump Dimensions												
		DIS	SUC	IMP	X	D	B	A	SP	Foot Pattern				Shaft			
										E1	E2	F	H	U	KEYWAY	V	
STO	AA	1	1.5	6	6 1/2	5 1/4	4	13 1/2	3 3/4	3	0	7 1/4	5/8	.875	3/16 X 3/32	2	
	AB	1.5	3	6													
		2	3	6													
		2	3	6													
MTO	A60	2	3	8	9 1/2	8 1/4	4	19 1/2	3 3/4	4 7/8	3 5/8	12 1/2	5/8	MTO 1.125	MTO 1/4X1/8	2 5/8	
	A70	3	4	8	11												
	A70	3	4	8G	11												
	A05	1	2	10	8 1/2												
	A50	1.5	3	10	8 1/2												
	A60	2	3	10	9 1/2												
	A70	3	4	10	11												
	A40	3	4	10H	12 1/2												
	A80	4	6	10	13 1/2												
	A80	4	6	10H	13 1/2												
LTO	A20	1.5	3	13	10 1/2	10	4	27 7/8	5 1/4	8	4 1/2	18 3/4	7/8	LTO 1.875	LTO 1/2X1/4	4	
	A30	2	3	13	11 1/2												
	A40	3	4	13	12 1/2												
	A80	4	6	13	13 1/2												
XLO	A90	6	8	13	16	14 1/2	6	27 7/8	5 1/4	8	4 1/2	18 3/4	7/8	2.375	5/8 X 5/16	4	
	A100	8	10	13	18												
	A110	6	8	15	18												
	A120	8	10	15	19												
	A120	8	10	15G	19												